

BUZZ BOX

MOVABLE PRIVACY BOOTH

*Find Your Private Zone,
Unlock Your Potential.*



OFFICE PLANNER



65-6835-6789



65-9710-9710



sales@o-planner.com



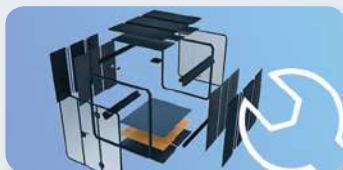
/ OfficePlanner



CONTENTS

About Buzz Box	page 3
Product Details	page 4
Acoustic System	page 5
Multi Scenario Functionality	page 7
Buzz Box Curve	page 11
Size S	page 12
Size M	page 14
Size L	page 16
Size XL	page 18
Buzz Box Square	page 20
Size S	page 21
Size M	page 23
Size L	page 25
Size XL	page 27
Color Selection	page 30

ABOUT OUR BUZZ BOX SYSTEM



VENTILATION SYSTEM

A well-designed low-noise exhaust system is crucial for minimizing noise generated by various factors, including airflow interference, vibration, heating, and system impedance. By effectively mitigating these sources of disturbance, the system ensures a consistent and quiet flow of air. This, in turn, maintains a clean and fresh indoor environment, free from pollutants and stale air. The result is a more comfortable and healthy space for occupants, making it an essential consideration for any building design.

LIGHTING SYSTEM

A cutting-edge 4000K infrared auto-sensing LED light has been installed in the warehouse, with the 150XLS model serving as the standard configuration. This innovative lighting solution is designed to cater to the demands of daily life, providing reliable and efficient illumination. Furthermore, the system boasts adaptability, accommodating a wide range of power supply options, including 100-220V, 50-60HZ, and 12V USB. This flexibility ensures seamless integration and operation, making it an ideal choice for modern warehouse lighting needs.

LOCKING SYSTEM

The warehouse features a specially designed door lock, expertly engineered for optimal sound insulation. When the door is closed, a gentle press of the door handle triggers the uniquely designed door to snugly compress the double-layer EPDM strip on the door leaf. This precise mechanism ensures a seal of unparalleled tightness, elevating the sound insulation effect within the warehouse to exceptional levels.

SMART SYSTEM

Optional Configuration: Sensor-Activated Automation

Enhance convenience and energy efficiency with our optional sensor-activated configuration. This feature automatically switches on lighting and ventilation systems when occupancy is detected, and switches off when the area is vacated. This seamless integration optimizes energy consumption and creates a comfortable environment.

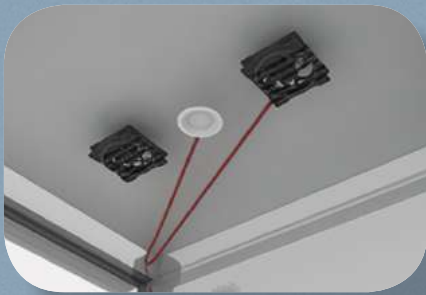
EASY INSTALLATION

Modular Design for Easy Installation and Flexibility

Quickly install and easily reconfigure this modular solution, featuring casters for effortless mobility. Making it perfect for various environments and applications.

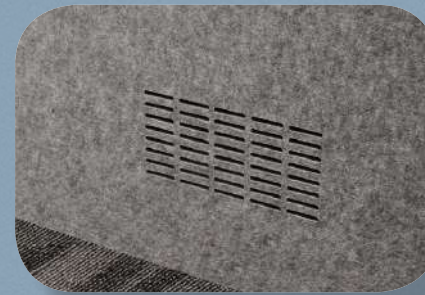


PRODUCT DETAILS



POWER SYSTEM

Our Buzz Box's power system combines efficiency and safety, optimizing energy use while protecting against electrical hazards. This secure and reliable infrastructure supports uninterrupted productivity and a sustainable work environment.



VENTILATION SYSTEM

This carefully designed feature ensures a continuous exchange of fresh air, removing stale air and pollutants, and promoting a healthier, more productive work environment.

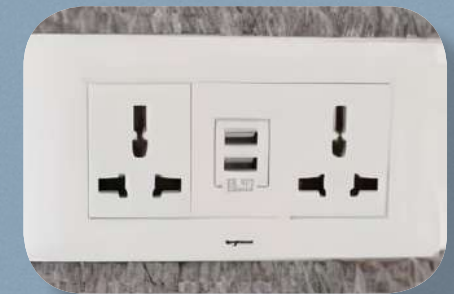
CEILING SOUND ABSORPTION

Unparalleled acoustic comfort awaits in our Buzz Box, where cutting-edge sound absorption technology minimizes echo and reverberation, fostering a serene and focused environment perfect for productivity, clear communication, and collaboration.



UNIVERSAL SOCKET W/USB

Enjoy uninterrupted productivity in our Buzz Boxes, equipped with cleverly integrated power sockets and USB ports, providing seamless charging access for laptops, smartphones, and other essential devices.



PREMIUM ALUMINUM HANDLE

Elevate your space with our premium aluminum handle, combining modern design with robust durability.



10MM ACOUSTIC CARPET

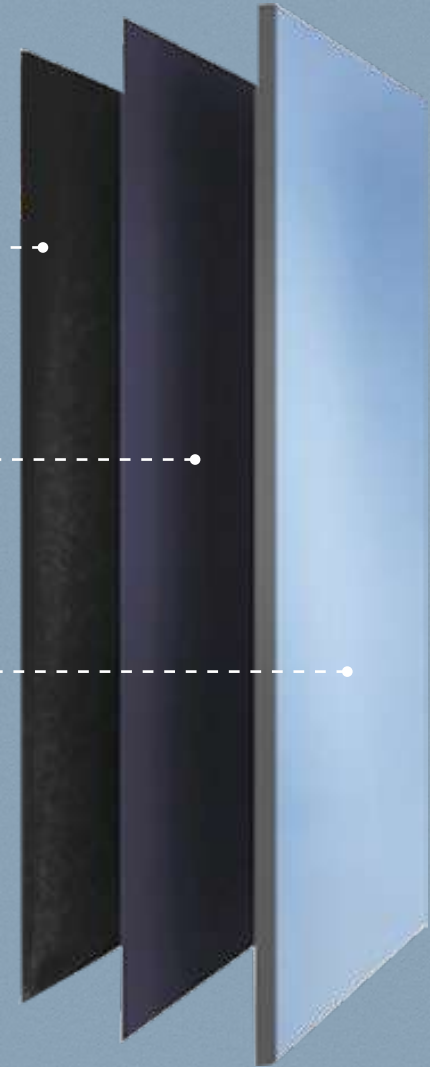
Sound-Optimized Carpet: 10mm thick, precision-engineered to absorb sound energy, minimize echo, and create a quiet, focused workspace.

ACOUSTIC INSULATION SYSTEM

WALL-MOUNTED SOUND ABSORBERS

ACOUSTIC WALL FILLING MATERIALS

WALL PANEL MODULE COMPONENTS





MULTI-SCENARIO FUNCTIONALITY

OFFICE SERIES

Buzz Box offer a tranquil retreat for focused work and private conversations, boasting cutting-edge soundproofing technology. By providing a quiet and distraction-free environment, these innovative pods enhance employee productivity, concentration, and overall well-being. Whether you need a peaceful space for team collaboration or individual work, Buzz Box are the perfect solution.

It Feature advanced soundproofing capabilities that significantly reduce office noise, creating a more enjoyable and efficient work environment. With minimized distractions and interruptions, employees can stay focused on their tasks, leading to improved job satisfaction and increased productivity. By incorporating Buzz Box into your office design, you can create a harmonious balance between collaboration and concentration, ultimately driving business success.



MULTI-SCENARIO FUNCTIONALITY

AIRPORT SERIES

Air travel can be grueling, especially when faced with lengthy layovers, crowded terminals, and constant noise. That's why our Buzz Box were carefully crafted to provide a tranquil oasis amidst the airport bustle, shielding you from the chaos and stress of travel. These versatile sanctuaries offer a secure, comfortable, and technologically equipped space, tailored to meet the diverse needs of travelers.

Whether you're seeking relaxation, a productive workspace, or a private haven for business meetings, our pods deliver. Enjoy a rejuvenating rest, catch up on work, or leverage our pods as private meeting rooms, perfectly suited for business discussions, negotiations, and video conferencing. With advanced soundproofing technology, ergonomic design, and premium amenities, our Buzz Box provide a refuge from the fatigue of travel, ensuring you arrive at your destination refreshed, focused, and ready to take on the world.



MULTI-SCENARIO FUNCTIONALITY

MUSIC ENTHUSIAST SERIES

Step into our soundproof Buzz Box and enter a world of pure creativity, where imagination knows no bounds and inspiration flows freely. These intimate spaces silence distractions, allowing you to tap into your inner muse and unlock your artistic voice. Whether composing, rehearsing, or perfecting your craft, our pods are your haven – a sanctuary where music and creativity converge.

Inside, you'll discover a realm of focus and inspiration, where every note, beat, and melody comes alive. Block out the noise, tap into your thoughts, and let the music swell, carrying you away on a tide of innovation and self-expression. Our Buzz Box cradles your artistic journey, nurturing your passion, unleashing your full potential, and transforming your creative vision into reality. With every moment, your music evolves and your dreams take shape.



MULTI-SCENARIO FUNCTIONALITY

HOTEL SERIES

For business travelers, hotels are no longer just a place to rest; they're also a strategic hub for professional networking and client meetings. That's why our innovative pods provide a shared meeting room, streamlining your business negotiations and bringing convenience to your work.



EDUCATION SERIES

Universities can utilize our pods as a dedicated space for interviews, streamlining the recruitment process for both students and companies. By hosting interviews on-campus, students can skip the commute, reduce stress, and focus on showcasing their skills and talents.



BUZZ BOX CURVE



OFFICE PLANNER
CREATING WORK GEMS

BUZZ BOX

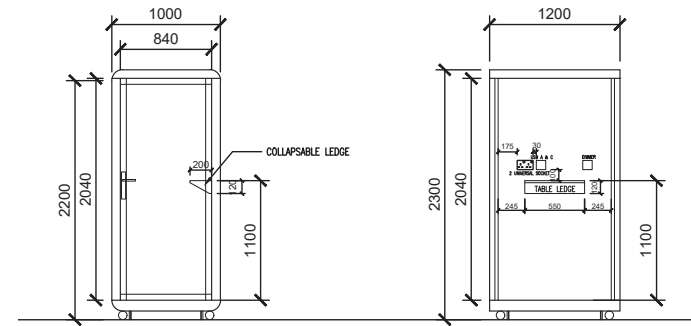
SIZE S (CURVE)



OFFICE PLANNER
CREATING WORK GEMS



BUZZ BOX



NAME	SIZE S
OUTER DIMENSION	1000W X 1200D X 2300HT
INNER DIMENSION	840W X 1040D X 2040HT
EXTERIOR FINISH	Sound Insulation Grade Composite Material, rated Insulation Grade 6, 80mm thickness
FLOOR FINISH	Floor carpet, 1 cm thickness, available in black only (no other color options)
GLASS MATERIAL	Back: 5+30A+5 door leaf, 5+43A+5 double-glazed tempered glass
DOOR FINISH	Frameless hollow glass door with 5+43A+5 double-glazed tempered glass, special handle, and 2-layer gasket.
DOOR HANDLE	Black Oxidized Aluminum Alloy Handle
SOUND PROOFING	Rw = 30 dB (+5 dB), RTO = 0.25 s (+0.1 s)
VENTILATION	UL-Certified Fan
LIGHT	4000K (Neutral White) LED Light Source
WALL STRUCTURE	Composite Wall Material with Cavity Structure and Film Veneer Finish
LEVELER	100Ht
SOCKET	Powder outlet + USB port (standard)
POWER	Power: 110-220V/50Hz, USB: 12V DC

BUZZ BOX

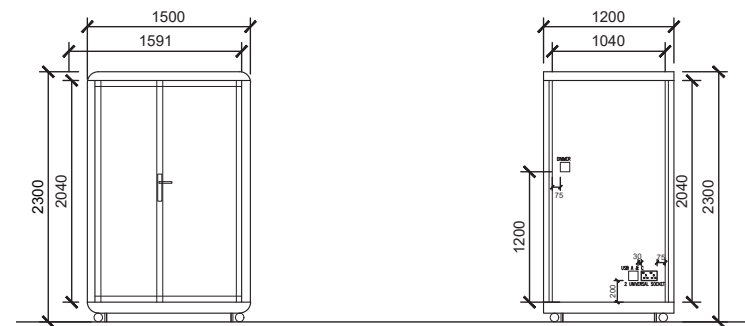
SIZE M (CURVE)



OFFICE PLANNER
CREATING WORK GEMS



BUZZ BOX



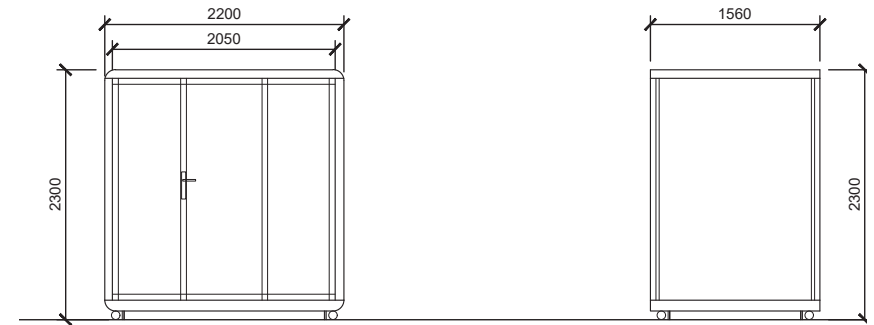
NAME	SIZE M
OUTER DIMENSION	1500W x 1200D x 2300Ht
INNER DIMENSION	1340W x 1040D x 2040Ht
EXTERIOR FINISH	Sound Insulation Grade Composite Material, rated Insulation Grade 6, 80mm thickness
FLOOR FINISH	Floor carpet, 1 cm thickness, available in black only (no other color options)
GLASS MATERIAL	Back: 5+30A+5 door leaf, 5+43A+5 double-glazed tempered glass
DOOR FINISH	Frameless hollow glass door with 5+43A+5 double-glazed tempered glass, special handle, and 2-layer gasket.
DOOR HANDLE	Black Oxidized Aluminum Alloy Handle
SOUND PROOFING	Rw = 30 dB (+5 dB), RTO = 0.25 s (+0.1 s)
VENTILATION	UL-Certified Fan
LIGHT	4000K (Neutral White) LED Light Source
WALL STRUCTURE	Composite Wall Material with Cavity Structure and Film Veneer Finish
LEVELER	100Ht
SOCKET	Powder outlet + USB port (standard)
POWER	Power: 110-220V/50Hz, USB: 12V DC

BUZZ BOX

SIZE L (CURVE)



OFFICE PLANNER
CREATING WORK GEMS



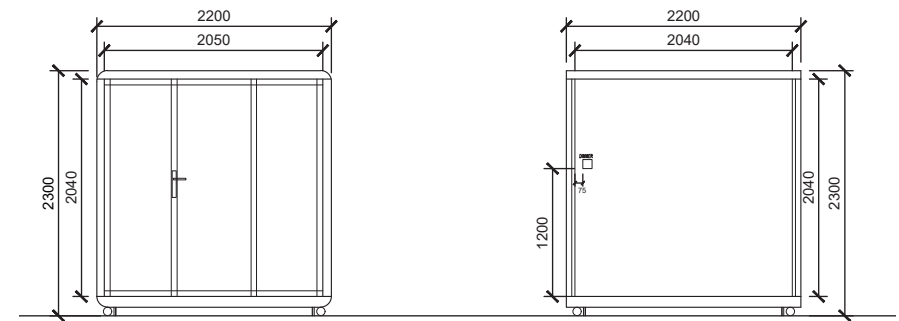
NAME	SIZE L
OUTER DIMENSION	2200W X 1560D X 2300HT
INNER DIMENSION	2040W X 1400D X 2040HT
EXTERIOR FINISH	Sound Insulation Grade Composite Material, rated Insulation Grade 6, 80mm thickness
FLOOR FINISH	Floor carpet, 1 cm thickness, available in black only (no other color options)
GLASS MATERIAL	Back: 5+30A+5 door leaf, 5+43A+5 double-glazed tempered glass
DOOR FINISH	Frameless hollow glass door with 5+43A+5 double-glazed tempered glass, special handle, and 2-layer gasket.
DOOR HANDLE	Black Oxidized Aluminum Alloy Handle
SOUND PROOFING	Rw = 30 dB (+5 dB), RTO = 0.25 s (+0.1 s)
VENTILATION	UL-Certified Fan
LIGHT	4000K (Neutral White) LED Light Source
WALL STRUCTURE	Composite Wall Material with Cavity Structure and Film Veneer Finish
LEVELER	100Ht
SOCKET	Powder outlet + USB port (standard)
POWER	Power: 110-220V/50Hz, USB: 12V DC

BUZZ BOX

SIZE XL (CURVE)



OFFICE PLANNER
CREATING WORK GEMS



NAME	SIZE XL
OUTER DIMENSION	2200W X 2200D X 2300HT
INNER DIMENSION	2040W X 2040D X 2040HT
EXTERIOR FINISH	Sound Insulation Grade Composite Material, rated Insulation Grade 6, 80mm thickness
FLOOR FINISH	Floor carpet, 1 cm thickness, available in black only (no other color options)
GLASS MATERIAL	Back: 5+30A+5 door leaf, 5+43A+5 double-glazed tempered glass
DOOR FINISH	Frameless hollow glass door with 5+43A+5 double-glazed tempered glass, special handle, and 2-layer gasket.
DOOR HANDLE	Black Oxidized Aluminum Alloy Handle
SOUND PROOFING	Rw = 30 dB (+5 dB), RTO = 0.25 s (+0.1 s)
VENTILATION	UL-Certified Fan
LIGHT	4000K (Neutral White) LED Light Source
WALL STRUCTURE	Composite Wall Material with Cavity Structure and Film Veneer Finish
LEVELER	100Ht
SOCKET	Powder outlet + USB port (standard)
POWER	Power: 110-220V/50Hz, USB: 12V DC



BUZZ BOX SQUARE

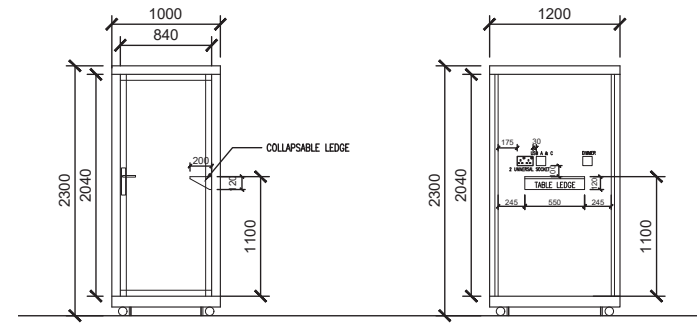
BUZZ BOX

SIZE S (SQUARE)





BUZZ BOX



NAME	SIZE S
OUTER DIMENSION	1000W X 1200D X 2300HT
INNER DIMENSION	840W X 1040D X 2040HT
EXTERIOR FINISH	Sound Insulation Grade Composite Material, rated Insulation Grade 6, 80mm thickness
FLOOR FINISH	Floor carpet, 1 cm thickness, available in black only (no other color options)
GLASS MATERIAL	Back: 5+30A+5 door leaf, 5+43A+5 double-glazed tempered glass
DOOR FINISH	Frameless hollow glass door with 5+43A+5 double-glazed tempered glass, special handle, and 2-layer gasket.
DOOR HANDLE	Black Oxidized Aluminum Alloy Handle
SOUND PROOFING	Rw = 30 dB (+5 dB), RTO = 0.25 s (+0.1 s)
VENTILATION	UL-Certified Fan
LIGHT	4000K (Neutral White) LED Light Source
WALL STRUCTURE	Composite Wall Material with Cavity Structure and Film Veneer Finish
LEVELER	100Ht
SOCKET	Powder outlet + USB port (standard)
POWER	Power: 110-220V/50Hz, USB: 12V DC

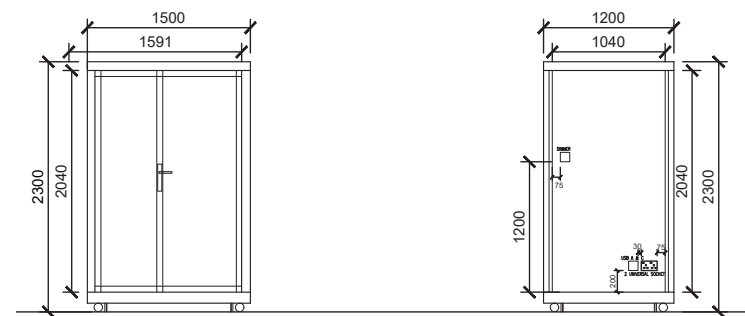
BUZZ BOX

SIZE M (SQUARE)





BUZZ BOX

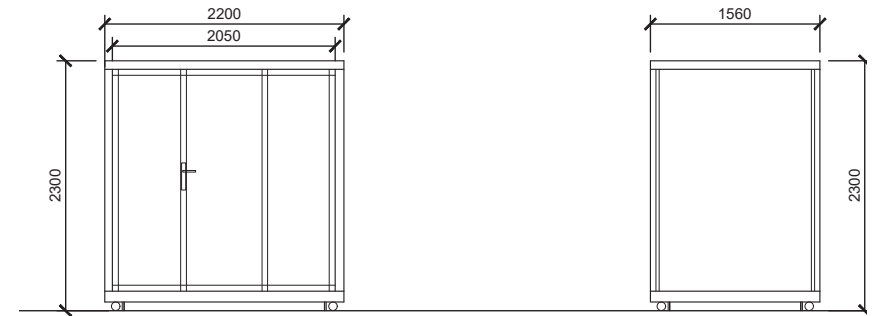


NAME	SIZE M
OUTER DIMENSION	1500W x 1200D x 2300Ht
INNER DIMENSION	1340W x 1040D x 2040Ht
EXTERIOR FINISH	Sound Insulation Grade Composite Material, rated Insulation Grade 6, 80mm thickness
FLOOR FINISH	Floor carpet, 1 cm thickness, available in black only (no other color options)
GLASS MATERIAL	Back: 5+30A+5 door leaf, 5+43A+5 double-glazed tempered glass
DOOR FINISH	Frameless hollow glass door with 5+43A+5 double-glazed tempered glass, special handle, and 2-layer gasket.
DOOR HANDLE	Black Oxidized Aluminum Alloy Handle
SOUND PROOFING	Rw = 30 dB (+5 dB), RTO = 0.25 s (+0.1 s)
VENTILATION	UL-Certified Fan
LIGHT	4000K (Neutral White) LED Light Source
WALL STRUCTURE	Composite Wall Material with Cavity Structure and Film Veneer Finish
LEVELER	100Ht
SOCKET	Powder outlet + USB port (standard)
POWER	Power: 110-220V/50Hz, USB: 12V DC

BUZZ BOX

SIZE L (SQUARE)





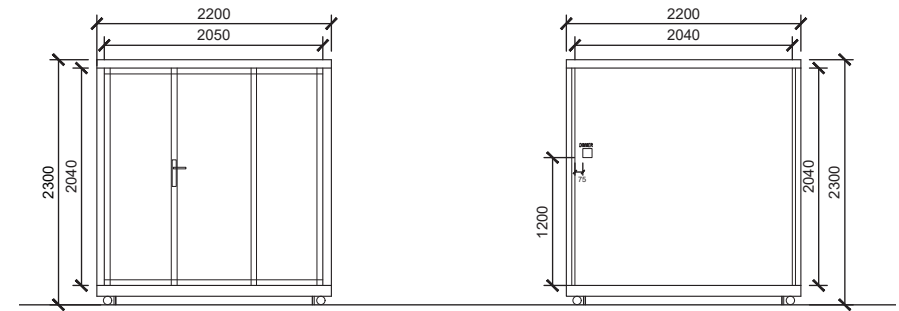
NAME	SIZE L
OUTER DIMENSION	2200W X 1560D X 2300HT
INNER DIMENSION	2040W X 1400D X 2040HT
EXTERIOR FINISH	Sound Insulation Grade Composite Material, rated Insulation Grade 6, 80mm thickness
FLOOR FINISH	Floor carpet, 1 cm thickness, available in black only (no other color options)
GLASS MATERIAL	Back: 5+30A+5 door leaf, 5+43A+5 double-glazed tempered glass
DOOR FINISH	Frameless hollow glass door with 5+43A+5 double-glazed tempered glass, special handle, and 2-layer gasket.
DOOR HANDLE	Black Oxidized Aluminum Alloy Handle
SOUND PROOFING	Rw = 30 dB (+5 dB), RTO = 0.25 s (+0.1 s)
VENTILATION	UL-Certified Fan
LIGHT	4000K (Neutral White) LED Light Source
WALL STRUCTURE	Composite Wall Material with Cavity Structure and Film Veneer Finish
LEVELER	100Ht
SOCKET	Powder outlet + USB port (standard)
POWER	Power: 110-220V/50Hz, USB: 12V DC

BUZZ BOX

SIZE XL (SQUARE)



OFFICE PLANNER
CREATING WORK GEMS



NAME	SIZE XL
OUTER DIMENSION	2200W X 2200D X 2300HT
INNER DIMENSION	2040W X 2040D X 2040HT
EXTERIOR FINISH	Sound Insulation Grade Composite Material, rated Insulation Grade 6, 80mm thickness
FLOOR FINISH	Floor carpet, 1 cm thickness, available in black only (no other color options)
GLASS MATERIAL	Back: 5+30A+5 door leaf, 5+43A+5 double-glazed tempered glass
DOOR FINISH	Frameless hollow glass door with 5+43A+5 double-glazed tempered glass, special handle, and 2-layer gasket.
DOOR HANDLE	Black Oxidized Aluminum Alloy Handle
SOUND PROOFING	Rw = 30 dB (+5 dB), RTO = 0.25 s (+0.1 s)
VENTILATION	UL-Certified Fan
LIGHT	4000K (Neutral White) LED Light Source
WALL STRUCTURE	Composite Wall Material with Cavity Structure and Film Veneer Finish
LEVELER	100Ht
SOCKET	Powder outlet + USB port (standard)
POWER	Power: 110-220V/50Hz, USB: 12V DC



OFFICE PLANNER
CREATING WORK GEMS



COLOR SELECTION

OUTER FRAME COLOR SELECTION



INTERIOR COLOUR SELECTIONS



BUZZ BOX

MOVABLE PRIVACY BOOTH

*Find Your Private Zone,
Unlock Your Potential.*



OFFICE PLANNER



65-6835-6789



65-9710-9710



sales@o-planner.com



/ OfficePlanner